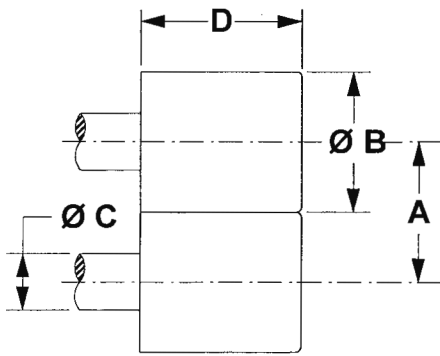
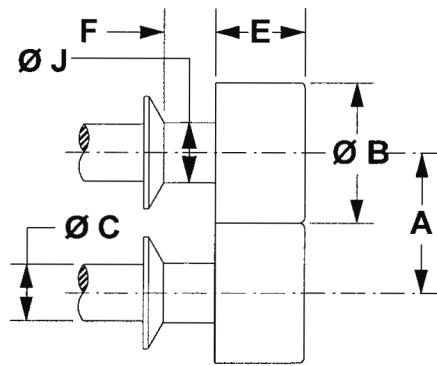


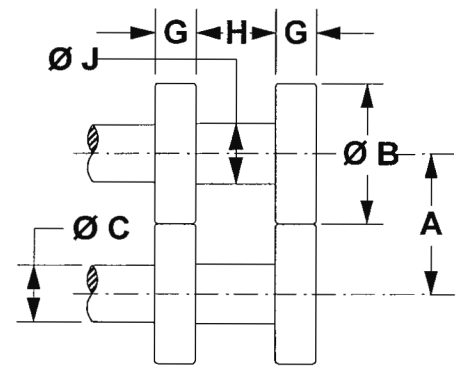
Concentricity Gage



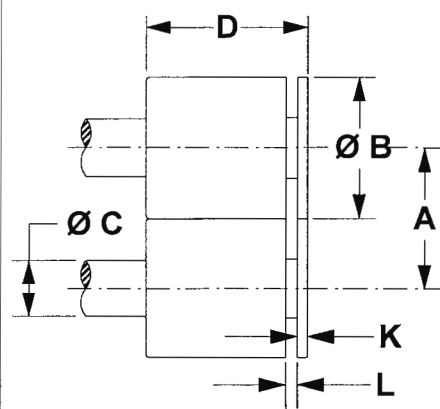
Full Plain Rollers



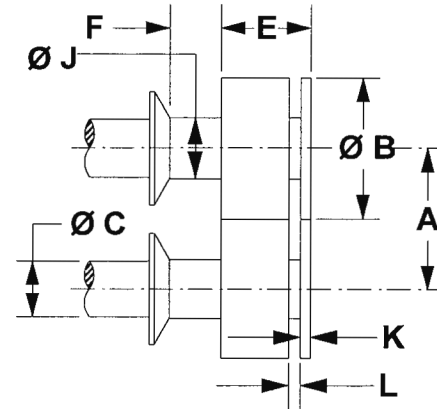
Half Plain Rollers



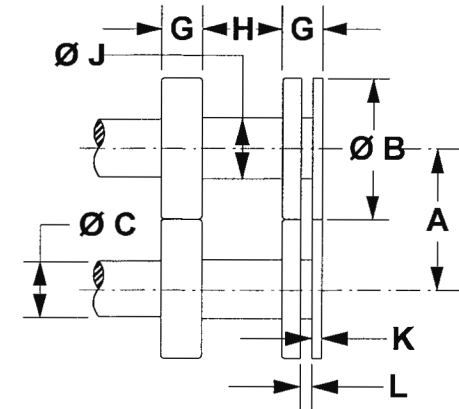
Quarter Plain Rollers



Full Zero Rollers
Model -10 ONLY



Half Zero Rollers
Model -10 ONLY



Quarter Zero Rollers
Model -10 ONLY

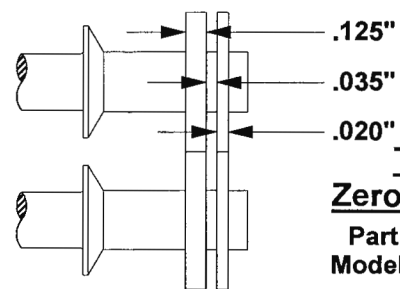
| Gage Model | A | Ø B | Ø C | D | E | F | G | H | Ø J | K | L |
|------------|-------|-------|------|-------|------|------|------|------|------|------|------|
| -10 | .875 | .875 | .355 | 1.000 | .555 | .320 | .255 | .490 | .375 | .062 | .070 |
| -20 | 1.250 | 1.000 | .355 | 1.250 | .625 | .500 | .313 | .625 | .375 | N.A. | N.A. |
| -40 | 1.750 | 1.125 | .473 | 1.500 | .750 | .553 | .375 | .750 | .473 | N.A. | N.A. |

ORDERING INFORMATION
1 X X - X X

Gage Size

Example: P/N 120-HP
Model-20 Gage Size
Half Plain Rollers

- P = Plain
- Z = Zero
- F = Full
- H = Half
- Q = Quarter
- T = Thin



Thin Zero Rollers
Part # 110-TZ
Model -10 ONLY

DESCRIPTION

Main Rollers Styles
Concentricity Gage

STANDARD NUMBER