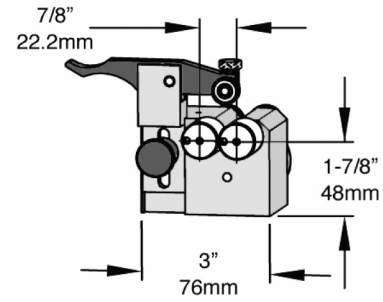
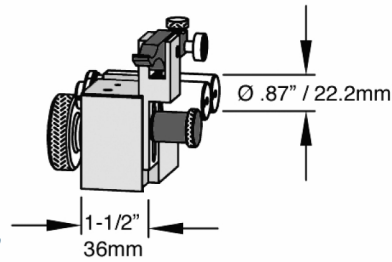
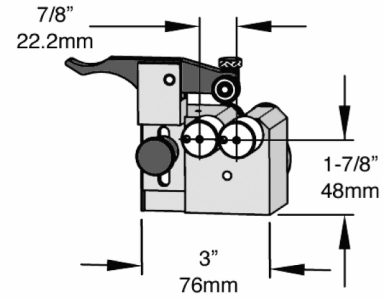
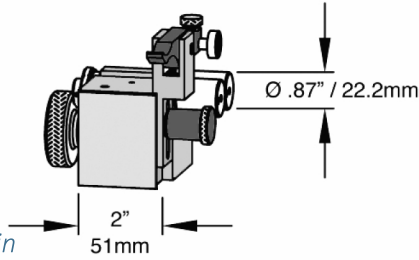


Block Size -10SLP
 Gage Capacities:
 Diameters: 1/8"-1" / 3-25mm
 Lengths: up to 3" / 76mm
 Support Prusure: 9lbs / 1.2Nm



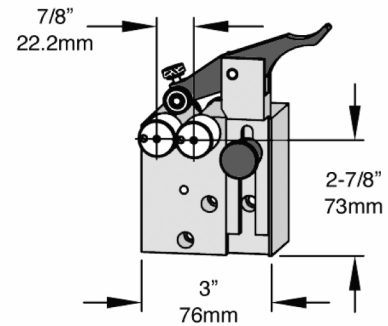
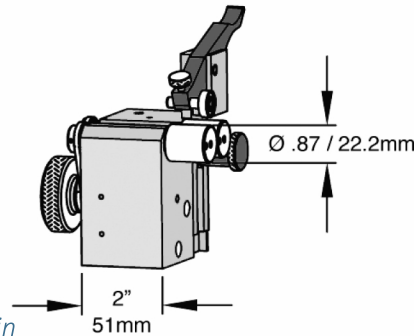
Note: For Block Size -10 models, Zero Plain Rollers may be used to decrease diameter minimum to zero in/mm.

Block Size -10LP
 Gage Capacities:
 Diameters: 1/8"-1" / 3-25mm
 Lengths: up to 3" / 76mm
 Support Prusure: 9lbs / 1.2Nm



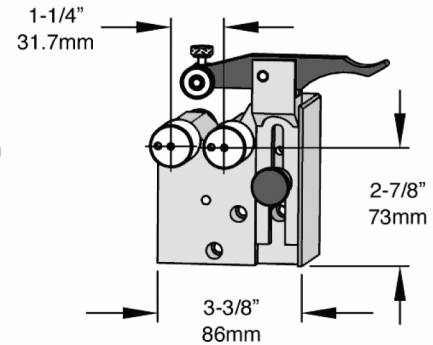
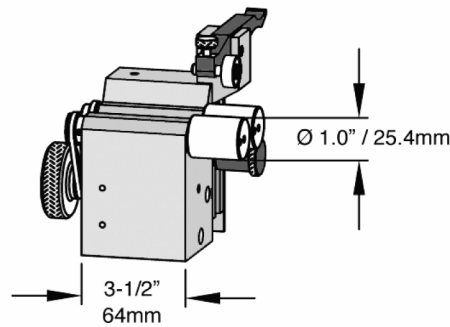
Note: For Block Size -10 models, Zero Plain Rollers may be used to decrease diameter minimum to zero in/mm.

Block Size -10
 Gage Capacities:
 Diameters: 1/8"-1" / 3-25mm
 Lengths: up to 3" / 76mm
 Support Prusure: 9lbs / 1.2Nm



Note: For Block Size -10 models, Zero Plain Rollers may be used to decrease diameter minimum to zero in/mm.

Block Size -20
 Gage Capacities:
 Diameters: 3/8"-2" / 10-50mm
 Lengths: up to 6" / 152mm
 Support Prusure: 15lbs / 2.0Nm



Block Size -40
 Gage Capacities:
 Diameters: 3/4"-4" / 20-102mm
 Lengths: up to 8" / 203mm
 Support Prusure: 32lbs / 4.4Nm

